

**PULSE GENERATOR  
OPERATING INSTRUCTIONS**

**SUPER PRO RESONATOR  
HISTORICAL DATA  
JULY-1988**

THIS EXPERIMENTAL DEVICE IS FOR INVESTIGATIONAL AND EDUCATIONAL STUDY OF THE WORK OF SOME EARLY PIONEERS WHO DEVELOPED SEVERAL TYPES OF ELECTRICAL APPARATUS THAT USED AUDIO FREQUENCIES AND PULSE GENERATORS IN THE MEDICAL FIELD THAT MAY HAVE BEEN BENEFICIAL IN THE TREATMENT OF VARIOUS MEDICAL PROBLEMS. PIONEERS SUCH AS GEORGES LAKHOVSKY "MWO", M. EDWARDS, "THE EDWARDS MYO-FLEX", G. HAMILTONS "GRAVATONIC LIFE RAY AMPLIFIER", ROYAL RAYMOND RIFE'S, "FREQUENCY INSTRUMENT" AND MANY MORE, TOO NUMEROUS TO MENTION.

Historical data indicates that several types of pulse waveforms were believed to have had the ability to destroy bacteria, viruses and fungi.

The equipment used by the early experimenters utilized Electron Tubes prior to the advent of the transistors and integrated circuits used today in the electronic industry.

The key factor in all of the early equipment was the ELECTRON VACUUM TUBES. The latest research indicates that the vacuum tube output stage that delivers the signal to the output of the device and then to the subject provides an excellent match which provides maximum energy transfer.

The unique circuit design of this solid state device provides the same type output impedance of the Electron Tube design and provides maximum energy transfer in the output stage.

**TO OPERATE**

Insert the power cord into a 115 volt 60 cycle (HZ) outlet. The On/off switch is on the right side of the front panel. A green lamp indicates when the power is "ON". The six position rotary dial on the left side of the front panel controls the SIGNAL (ON) and the five pulse repetition rates from A to E. On the right side of the panel is the output GAIN control. This dial is a one turn rotary dial that controls the amplitude of the output energy. Clockwise rotation increases the energy. Upon completion of testing return the dial to full counter-clockwise position. In the center is an input jack for the 1/4 inch phone type plug attached to the stainless steel plates. Located to the left of this jack is a 3.5 mm (1/8) for optional hand pads.

Historical information indicates that these plates were used to transmit the output energy to the feet of the test subject stimulating

acupuncture points on the feet. A good practice is to use a "Terry cloth" (wash cloth) to cover the plates, moistened with tap water, to obtain better conductivity of energy to the feet. USE ONLY TAP WATER THAT IS CLEAR OF CHLORINE. MINERAL WATER IS PREFERRED.

A time period of 5 to 10 minutes is generally used at each of the five positions, A thru E of the Pulse Rate dial. This sequence is repeated a number of times determined by the experimenter.

#### NOTES OF CAUTION

USE CARE WHEN EXTRACTING THE CORDS CONNECTED TO THE FOOT PADS. DO NOT PULL ON THE CORDS WHEN REMOVING THE PLUG FROM THE JACK IN THE FRONT PANEL. REMOVE THE PLUG BY FIRMLY GRIPPING THE PLASTIC HANDLE ATTACHED TO THE PLUG.

THE PRECISE PULSE RATES OF THIS DEVICE IS CALIBRATED AT THE NOMINAL ROOM TEMPERATURE OF 70 DEGREES FAHRENHEIT. EXTREME TEMPERATURE VARIATIONS CAN AFFECT THE CALIBRATION. AVOID USING THE DEVICE BELOW 60 AND ABOVE 90 DEGREES TEMPERATURE.

#### NOTES OF INTEREST

THE BASIC DESIGN OF THIS DEVICE IS BASED ON THE WORK OVER A PERIOD OF THE LAST 18 YEARS BY TWO EXPERIMENTERS WHO USED THIS TYPE OF ELECTROTHERAPY ON NUMEROUS SUBJECTS WITH 99 % SUCCESS BOTH IN THE UNITED STATES AND ABOARD.

RECENT TESTS WORKING AT THE CELL LEVEL (JUNE 1966) INDICATE THAT THIS TYPE OF DEVICE STIMULATES THE IMMUNE SYSTEM OF THE BODY RATHER THAN THE DENISE OF BACTERIA AND VIRUS.

END

+ Super Pro Reference +

**FREQUENCY GENERATOR  
FABRICATION INFO  
PARTS LIST**

REVISED AUGUST 1-1968

THIS EXPERIMENTAL PROJECT IS FOR THE PURPOSE OF RE-VALIDATION OF THE WORK OF EXPERIMENTERS SINCE THE 1930'S THAT WORKED IN THE FIELD OF ELECTRO MEDICINE. THESE PIONEERS IN THE FIELD DEVELOPED SEVERAL TYPES OF ELECTRICAL APPARATUS THAT USED AUDIO TYPE FREQUENCIES AND PULSE GENERATORS THAT MAY HAVE BEEN BENEFICIAL IN THE TREATMENT OF VARIOUS MEDICAL PROBLEMS. PIONEERS SUCH AS GEORGES LAKHOVSKY'S , "MWO", M. EDWARDS "MYO-FLEX", ROYAL R. RIFE'S "FREQUENCY INSTRUMENT" and "BEAM TUBE" AND MANY MORE. THIS INFORMATION PERTAINS TO A DEVICE THAT ROY RIFE PROVIDED FOR AN ASSOCIATE IN SAN DIEGO CALIF. IN THE YEAR OF 1970. THIS DEVICE WAS CALIBRATED BY RIFE USING PULSE RATES THAT HAS NOT BEEN PUBLISHED BY ANY PERSON THAT MAY HAVE BEEN ASSOCIATED WITH RIFE AT THAT TIME NOR ANY TIME SINCE THAT PERIOD.

PLEASE NOTE THAT THIS DEVICE IS NOT INTENDED TO BE USED IN THE TREATMENT OF DISEASE BUT IS INTENDED FOR INVESTIGATIONAL USE AND EDUCATIONAL STUDY.

**COMPONENT SUPPLIERS**

LMB MFG. 722 CERES AVE, LOS ANGELES CALIF. ,90021  
DISTRIBUTER- RADAR ELECTRIC CO. 168 WESTERN AVE, W. ,SEATTLE WA. 98119  
BOISE IDAHO OFC. (208) 282-2511 RAY GREABY MGR.

MOUSER 11433 WOODSIDE AVE. ,SANTEE CA. 92071 (619) 449-2222

ANTIQUE ELECTRONIC SUPPLY 688 W. FIRST AVE TEMPE AZ. 85281 (602)894-9501

**RADIO SHACK STORES**

1-EA	CABINET SIZE-10X12X6 1/2	CAT# C0-2	RADAR
1-EA	CHASSIS SIZE 11X8X2	CAT# C0-2	RADAR
2-EA	DIAL KNOBS	CAT# 45KN016	MOUSER
1-EA	TRANSFORMER TRIAD	CAT# N51X 35VA 115-115 VOLT	RADAR
1-EA	FILTER CHOKE 50MA 500 OHM TRIAD	CAT# CX-3	ANTIQUE OR RADAR
1-EA	TRANSFORMER 115 VOLT TO 12.6	CAT# 41CG010	MOUSER
MISC NUTS SCREWS X WASHERS AS REQUIRED 4-40 & 6-32			MOUSER
1-EA	1/4 INCH MONO PHONE JACK	CAT# 16PJ022	MOUSER
1-EA	1/4 INCH MONO PHONE PLUG	CAT# 17PP202	MOUSER

1-EA	PLASTIC BOX P/N 144 TOP & BOTTOM (NO BATT. COMPT.)	RADAR
6-EA	5 LUG TIE STRIP CAT# 15TS002	MOUSER
1-EA	SPST TOGGLE SWITCH CAT# 10TA220	MOUSER
1-EA	6 POS ROTARY SW. CAT# 10WW026	MOUSER
1-EA	2AMP CIRCUIT BREAKER CAT# 270-1310	RADIO SHACK
2 EA	CIRCUIT BOARDS CAT# 276-170	RADIO SHACK
1-EA	14 PIN DIP SOCKET CAT# 15IC014 (TRIM TO FIT AMEREX BOX)	MOUSER
2-EA	16 PIN DIP SOCKET CAT# 15IC016 (MULTIPLIER CIRCUIT)	MOUSER
1-EA	LINE CORD RETAINER-NYLON STRAIN RELIEF CAT#528-1117	MOUSER
1-EA	NEON LAMP (POWER INDICATOR) CAT# 36HNO12	MOUSER
1-EA	POWER LINE CORD 3-COND. CAT# 557-33101	MOUSER
1-EA	ELECTRON TUBE 6AQ5	ANTIQU
1-EA	ELECTRON TUBE 6GK6	ANTIQU
4-EA	ELECTROLYTIC CAPACITORS 22MFD. 450WV CAT#19AF022	MOUSER
3-EA	.47 10% 100 VOLT POLYESTER CAPACITORS CAT# 23AB447	MOUSER
1-EA	HI REL POTENTIOMETER 1W CARBON 10K CAT#31XN401	MOUSER
2-EA	BRIDGE RECTIFIERS 400PIV CAT# 33SC040	MOUSER
1-EA	7 PIN MOLDED TUBE SOCKET CAT#	ANTIQU
1-EA	9 PIN MOLDED TUBE SOCKET CAT#	ANTIQU
1-EA	CMOS IC CD 4011 QUAD NAND GATE CAT# 570-CD4011AE	MOUSER
1-EA	CMOS CD4046 PHASE LOCK LOOP CAT#570-CD4046AE	MOUSER
1EA	CMOS CD4018BE PRESETTABLE COUNTER CAT#570-CD4018BE	MOUSER
1-EA	7812 REGULATOR CAT#595-SG7812CT	MOUSER
1-EA	ELECTROLYTIC CAPACITOR 33MFD 50 WV CAT# 20XR033	MOUSER
1-EA	ELECTROLYTIC CAPACITOR 1000MFD 16WV CAT#20XH901	MOUSER
1-EA	CAPACITOR 1.0 K MFD CAT# 581MC105K1H	MOUSER

2-EA TRIM POTS 20TURN 500 OHM PRECISION CERMET CAT# 32NA205 MOUSER  
-----  
3-EA TRIM POTS 20TURN 1000 OHM PRECISION CERMET CAT#32M1301 MOUSER  
-----  
CARBON FILM RESISTORS 29SJ SERIES 1/2 WATT AND 1 WATT MOUSER  
-----  
1-EA 100 K 1/2 WATT  
-----  
1-EA 1MEG 1/2 WATT  
-----  
1-EA 27K 1WATT  
-----  
1-EA 330 OHM 1WATT  
-----  
1-EA 1.8K 1WATT  
-----  
1-EA 6 WATT 1000 OHM CAT# ME285-KNA620-1K MOUSER  
-----  
1EA ELECTROLYTIC CAPACITOR 3.3 MFD 50WV CAT# 20XR003 MOUSER  
-----  
1-EA 1/4 CARBON FILM CAT# 29SJ250 - VALUE MOUSER  
4 PC's → 10K, 1MEG, 2-EA 100K  
-----  
1-EA CAPACITOR .0100 MULTI LAYER FILM CAT#581-1R67103K 10% MOUSER  
-----  
PRECISION RESISTORS METAL FILM 1% 50PPM 1/4WATT 250 WV  
1-EA 6.19K 2-EA 5.62K 1-EA 1.82K 5-EA 100K  
CAT# ME271- VALUE (FOR OSCILLATOR STATES) MOUSER  
-----  
TOOLS NEEDED OTHER THAN STANDARD- GREENLEE PUNCHES 5/8 & 3/4 ROUND  
CAT# 565-3803-5/8 CAT# 565-3801-3/4 (FOR TUBE HOLES)

### NOTES

SINCE THIS INFORMATION WAS FIRST DISTRIBUTED IN JANUARY OF 1988 SEVERAL TECHNICIANS AND ENGINEERS DECIDED THAT THE SCHEMATIC NEEDED TO BE "CLEANED UP" OR IMPROVED OR CHANGED TO SUIT THEIR IDEAS. PLEASE NOTE THE CIRCUIT AS SHOWN IN THE SCHEMATIC WILL PROVIDE THE CORRECT OUTPUT TO REPLICATE THE RESULTS OF EXPERIMENTAL WORK THAT HAS PROVEN TO BE SUCCESSFUL IN THE PAST 18 YEARS.

DO AS THE FOLLOWING MOTTO INDICATES

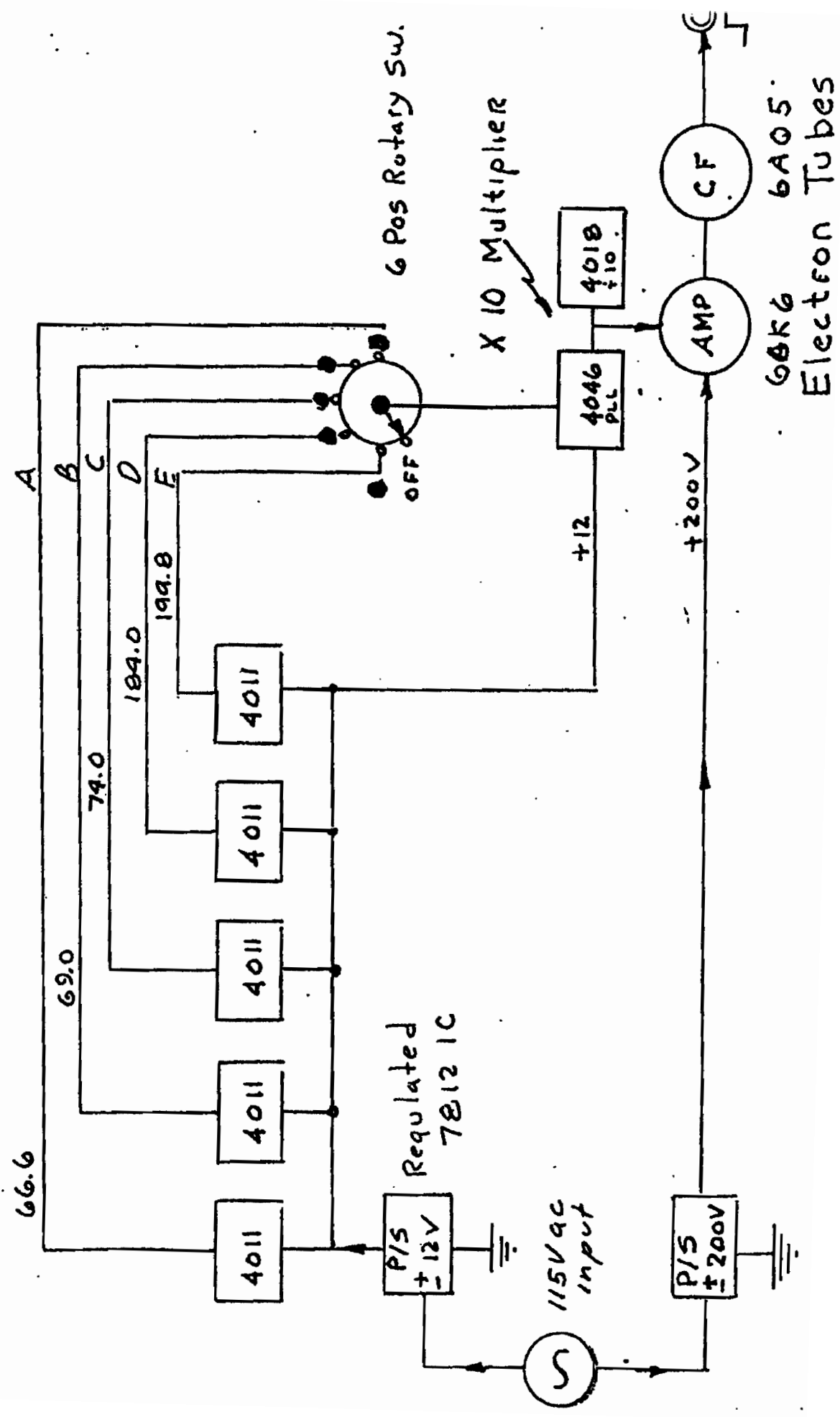
IF IT WORKS DON'T FIX IT

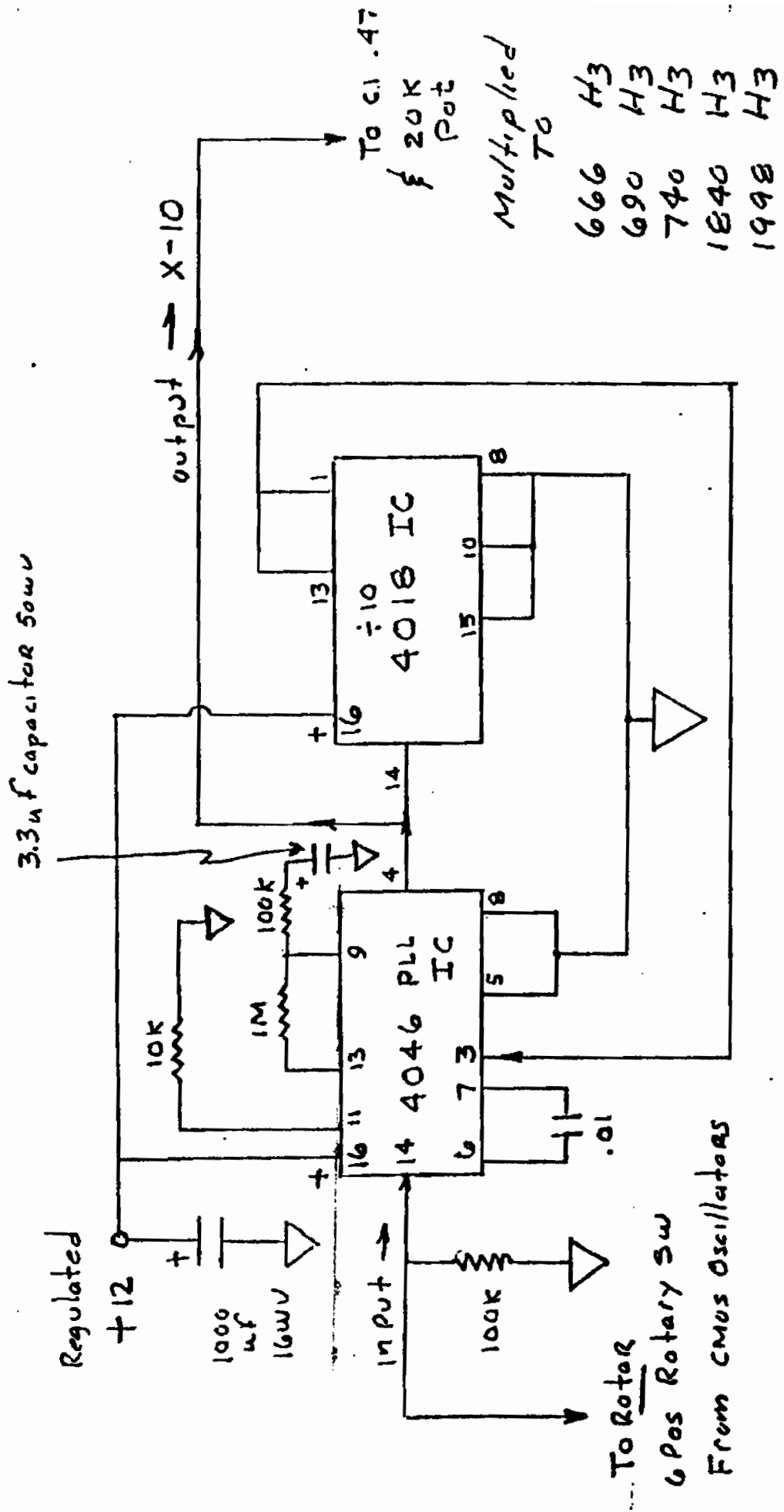
Note: Parts List calls for  
 components for Single State

Jan. 1988

9011 IC oscillator with control R1 & T1  
 Pg 6 Alternate oscillator circuit

Block Diagram Frequency Generator





All resistors  
1/4 w or 1/8 w

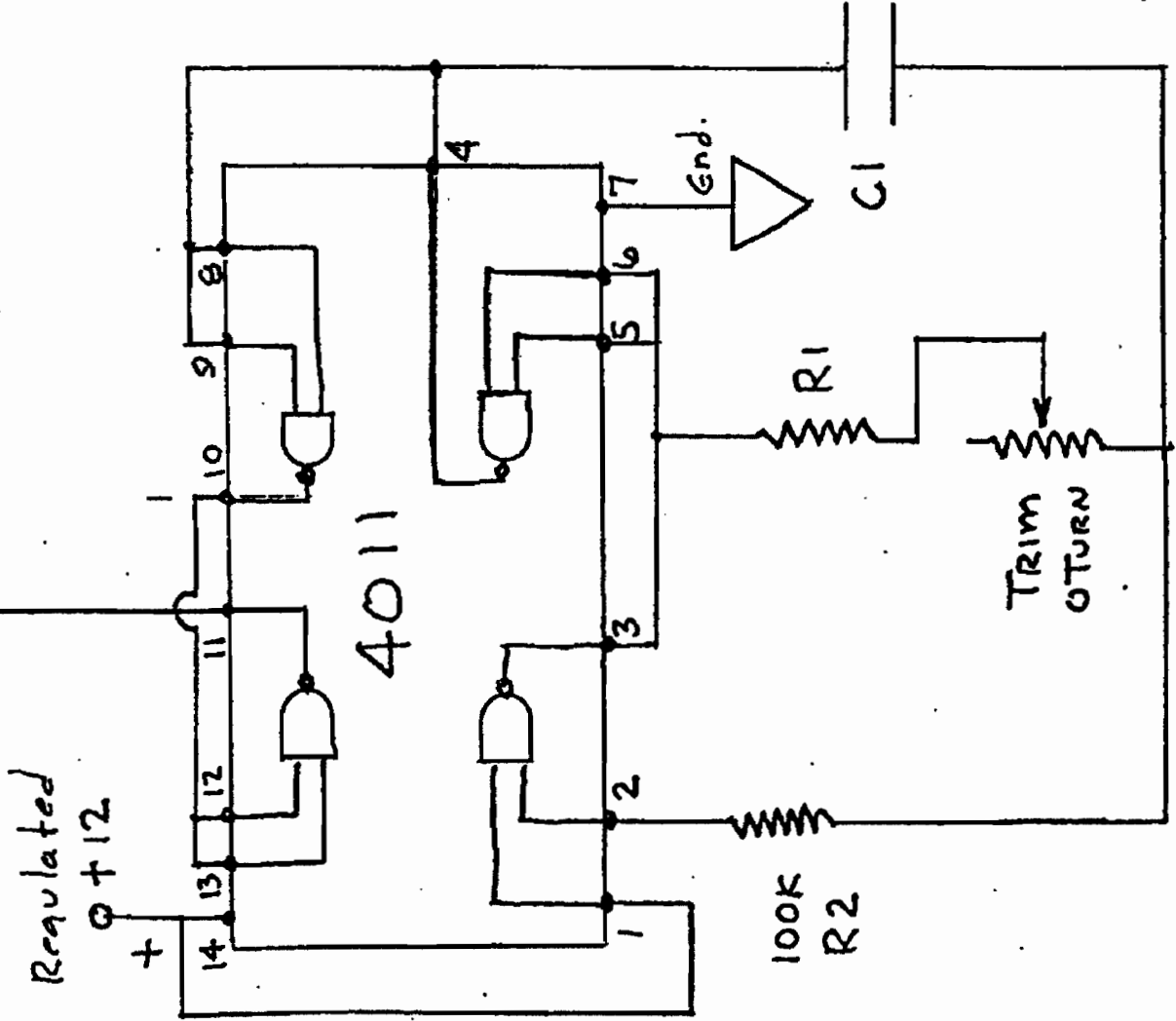
CMOS 16 Pin Dip  
X10 Multiplier

Components mount on Universal circuit Bd. # 1 of 3

5 Optional  
5 Required  
Per Unit

Quad NAND Gate  
CMOS Plastic CD4011

To 6 Pos Rotary SW



Frequency	R-1	TRIM POT
66.6	6.192K	1000Ω
69.0	5.62K	1000Ω
74.0	5.62K	1000Ω
184.0	1.82K	500Ω
199.8	1.82K	500Ω

All Resistors Precision 1%  
Metal Film 1/4W 100PPM  
R-1 1/4" A thru E  
Trim Pots, Precision Cermet  
Length = 3/4" - 20 Turn Adjustment  
C1 = Thomson - CSF  
Metalized Polyester 1.0 MFD  
100 volt

NOTE: SEE ALTERNATE CIRCUIT

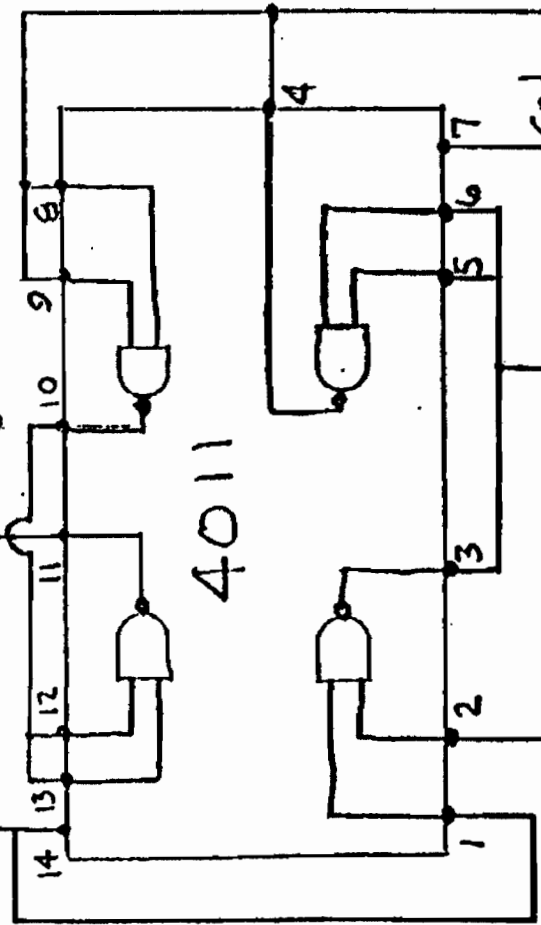


Alternate Oscillator Circuit

100 PF Ceramic Gen purpose 4046

1- IC used  
5- Trimmers  
5- Resistors

Regulated +12



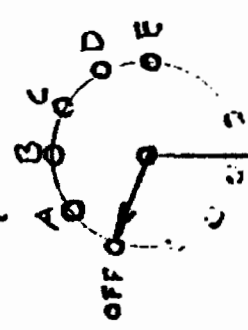
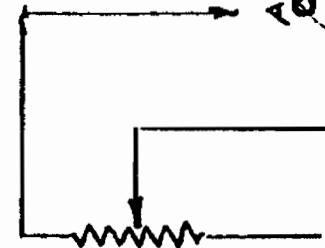
100K R2



C1

1% Precision Resistor R1

T1 POT



6 Pos Rotary Switch

R1 / T1  
A - 6.192 1K  
B - 5.62 1K

C - 5.62 1K

D - 1.82 500 ohm

E - 1.82 500 ohm

H3

A 66.6

B 69.0

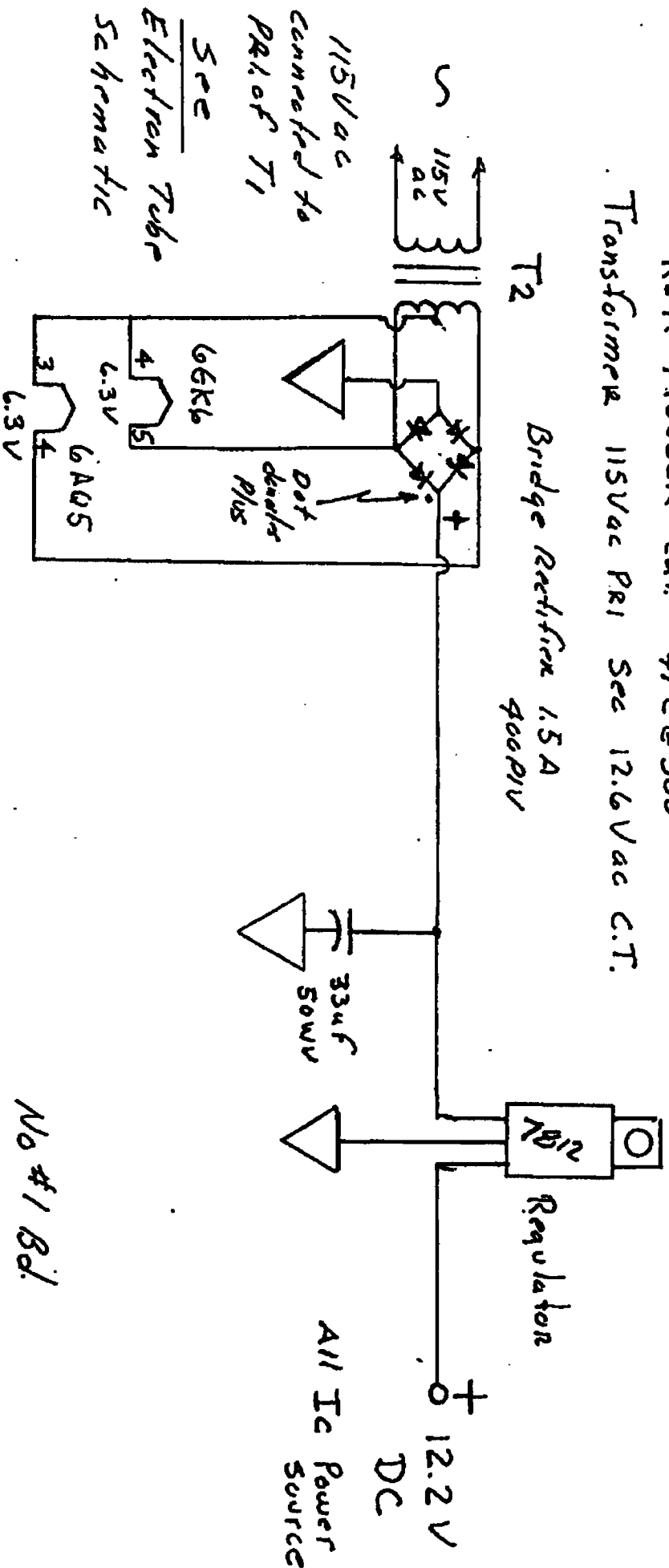
C 74.0

D 124.0

E 199.8

# Frequency Generator ITC Power Supply

Ref. Mouser Cat # 41CG300  
Transformer 115Vac PRI See 12.6Vac C.T.

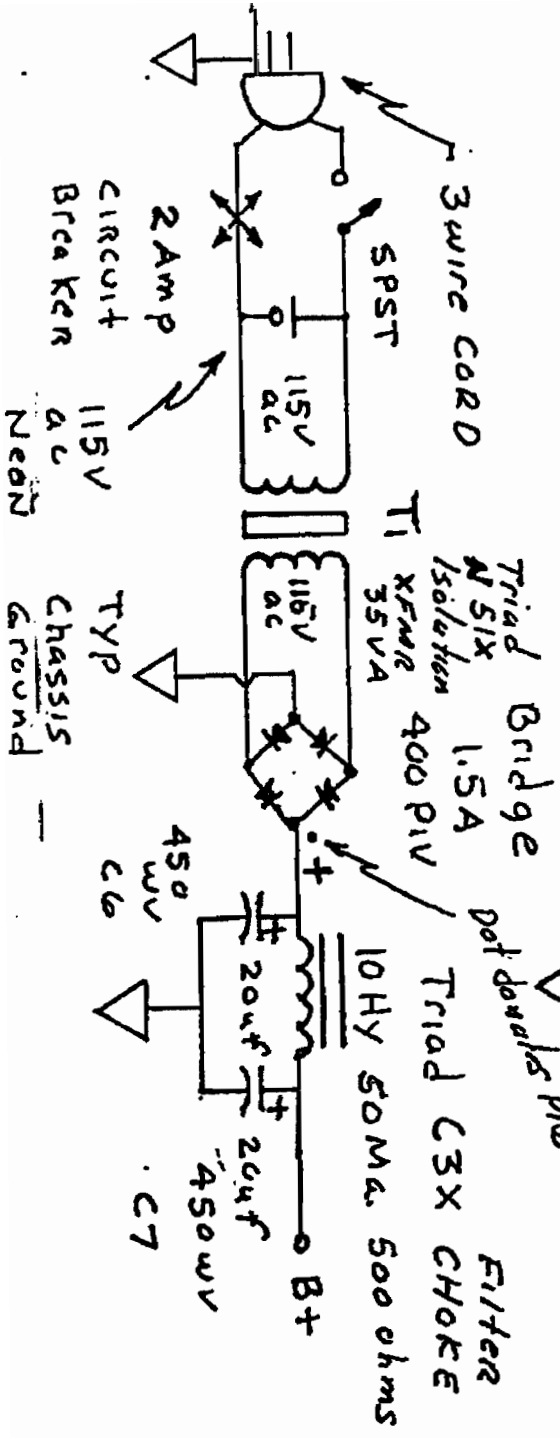
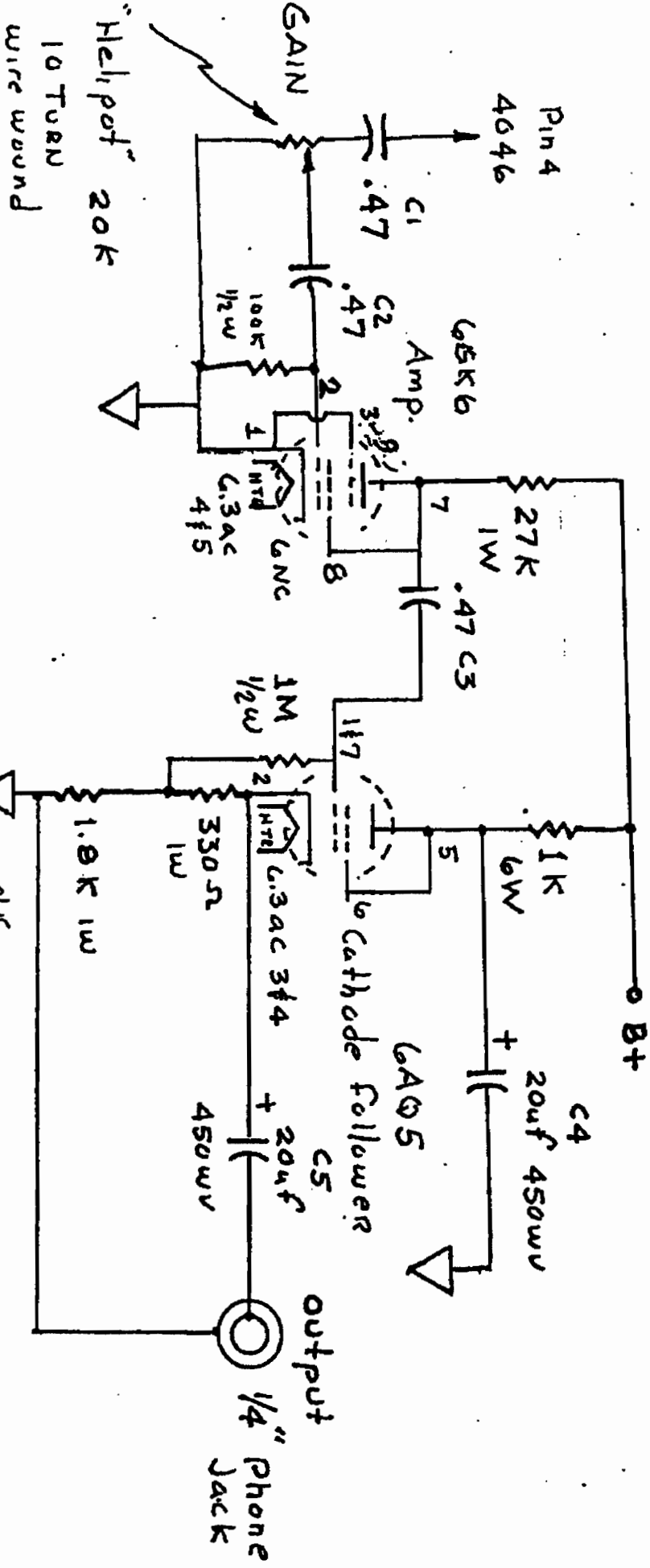


PC Universal Board 002

Transformer mounted on Chassis

9096 & 4018 mounted on this board underside of chassis with 7812 Regulator & Capacitors

# Frequency Generator Schematic



**Note:**  
 Tubes used as  
 triode configuration  
 This is no mistake